

HELPING the human EYE.

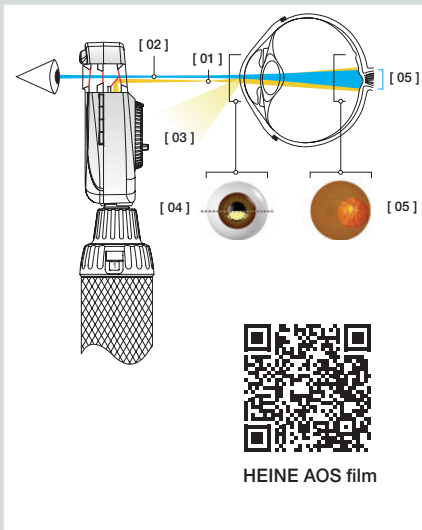




HEINE Direct Ophthalmoscopes



	BETA 200S	BETA 200	BETA 200 M2	K180 Opt. 1	K180 Opt. 2	mini 3000
Optical System	Aspherical	Aspherical		Conventional		Conventional
Illumination	XHL or LED ^{HQ}	XHL or LED ^{HQ}	XHL	XHL		XHL or LED ^{HQ}
Apertures						
Corrective lenses	- 36 to +38D, 74 single diopter steps, 28 Lenses	- 35 to +40D, 27 diopter steps, 27 Lenses		- 35 to +40D, 27 diopter steps, 27 Lenses		- 20 to +20D, 18 diopter steps, 18 Lenses
Dust protection	Dustproof	Dustproof		Dust protected		Dust protected
Frame system made of	Aluminium	Aluminium		Plastic		Plastic
Instrument size	Professional	Professional		Professional		Compact
Handle options / power sources	<ul style="list-style-type: none"> • Battery handle (XHL only) • USB rechargeable handle • Rechargeable handle with table charger • EN 200 / EN 200-1 	<ul style="list-style-type: none"> • Battery handle (XHL only) • USB rechargeable handle • Rechargeable handle with table charger • EN 200 / EN 200-1 		<ul style="list-style-type: none"> • Battery handle • USB rechargeable handle • Rechargeable handle with table charger • EN 200 / EN 200-1 		<ul style="list-style-type: none"> • Battery handle • Rechargeable handle with table charger
Catalogue page	035	037/044		040		042



“Aspherical Optical System” (AOS) exclusively from HEINE eliminates corneal and iris reflexes to provide large, crisp and glare-free fundus images.

- [01] Flat, elliptical illumination beam produced by HEINE’s Aspherical Optical System.
- [02] Observation path.
- [03] Redirected iris and corneal reflexes.
- [04] The elliptical light beam enters through the lower half of the cornea. The illumination beam has been separated from the observation beam (Gullstrand-Principle). All reflexes are diverted away from the observation beam due to the curvature of the reflective cornea. Due to the flat, compressed form of the light beam, a maximum amount of light enters through the pupil.
- [05] Once past the anterior chamber, the light beam opens up dramatically to illuminate a large area of the retina.

HEINE BETA® 200S LED Ophthalmoscope

Superior aspherical optics with LED^{HQ} illumination



Exclusive dustproof design protects the precision optical components and ensures maintenance-free operation. The BETA 200/200S Ophthalmoscopes are the only instruments with an aluminum frame system. Optical components are flush-mounted on a cast aluminum frame, eliminating misalignment and making the instrument shock-resistant. The BETA 200S LED has virtually unlimited hours of working life. No need to ever replace bulbs. Maintenance-free for a lifetime.



- ∴ **Exclusive Aspherical Optical System (AOS).**
- ∴ **There’s LED. And there’s LED^{HQ}.** HEINE has set a new standard which maintains that only the best is good enough, from the selection of materials to processing, from light intensity to dimmability, and from thermal management to a colour rendering index as high as possible. **That’s what we call LED in HEINE Quality – or LED^{HQ}.**
- ∴ **Special optical interface to precisely integrate the LED illumination with the optical system** to ensure bright, homogeneous light during examinations.
- ∴ **The BETA 200S Ophthalmoscope** accommodates higher refractive errors with a **28 single lenses Rekoss Disc** and features a 74 single step design on a non-continuous wheel avoiding extreme diopter jumps.
 - + in 1 D steps: +1 through +38D
 - in 1 D steps: -1 through -36D
- ∴ **Patented, unique, stepless dimming** from 3% to 100% with practical one-finger operation.
- ∴ **No stray light due to the recessed, multi-coated viewing window** – eliminates distractions.
- ∴ **Precise one-hand control of the instrument.** Ergonomic design offers flexibility while examining.
- ∴ **Suitable for large as well as small or undilated pupils.**
- ∴ **Ergonomic design** fits the orbita comfortably, and blocks out ambient light.
- ∴ **Full functionality of the BETA 200S LED is guaranteed with BETA Rechargeable Handles and the EN 200 / EN 200-1 Wall Transformers.**

BETA 200S with 7 apertures



Cobalt blue filter, fixation star with polar coordinates, large spot, small spot, pinhole, slit, hemispot



With red-free filter

- ∴ **Also available with XHL Xenon Halogen illumination.** Bright illumination and authentic colour rendering; for other technical specifications see BETA 200S LED Ophthalmoscope.



HEINE BETA 200S Diagnostic Sets/Kits

With XHL or LED^{HQ} illumination



Set includes: BETA 200S Ophthalmoscope,
1 spare bulb for XHL version, hard case.

	2.5V XHL	3.5V XHL	LED
BETA battery handle	C-261.10.118		
★ BETA4 USB rechargeable handle with USB cord and plug-in power supply		C-261.27.388	C-261.28.388
BETA4 NT rechargeable handle with NT4 table charger		C-261.23.420	C-261.24.420



Without case

BETA 200S Ophthalmoscope with	2.5V XHL	3.5V XHL	LED
BETA battery handle	C-010.10.118		
BETA4 USB rechargeable handle with USB cord and plug-in power supply		C-010.27.388	C-010.28.388

Set includes: BETA 200S Ophthalmoscope, BETA 200 Streak Retinoscope,
1 spare bulb for XHL version, hard case.



	2.5V XHL	3.5V XHL	LED
BETA battery handle	C-262.10.118		
BETA4 USB rechargeable handle with USB cord and plug-in power supply		C-262.27.388	C-262.28.388
BETA4 NT rechargeable handle with NT4 table charger		C-262.23.420	C-262.24.420

∴ For further information on the HEINE BETA 200 Retinoscope, please see page 045.



HEINE BETA® 200 LED Ophthalmoscope

Superior aspherical optics with LED^{HQ} illumination



The ophthalmoscope with unique aspherical optics and all features of the BETA 200S LED, but:



- Without macula aperture (pinhole)
- The BETA 200 Ophthalmoscope accommodates higher refractive errors with a 27 single lenses Rekoss Disc.

+ in 1 D steps: 1 – 10	15	20	40	D
- in 1 D steps: 1 – 10	15	20	25	35 D

- Full functionality of the BETA 200 LED is guaranteed with BETA Rechargeable Handles and the EN 200 / EN 200-1 Wall Transformers.

- Also available with XHL Xenon Halogen illumination. Bright illumination and authentic colour rendering; for other technical specifications see BETA 200 LED Ophthalmoscope.

BETA 200 with 6 apertures



Slit, fixation star with polar coordinates, cobalt blue filter, large spot, small spot, hemispot



With red-free filter

HEINE BETA 200 Ophthalmoscope Sets/Kits

With XHL or LED^{HQ} illumination



Set includes: BETA 200 Ophthalmoscope,
1 spare bulb for XHL version, hard case.

	2.5V XHL	3.5V XHL	LED
BETA battery handle	C-144.10.118*		
★ BETA4 USB rechargeable handle with USB cord and plug-in power supply		C-144.27.388	C-144.28.388
BETA4 NT rechargeable handle with NT4 table charger		C-144.23.420	C-144.24.420

* Available with large battery handle X-001.99.120 (doesn't fit into hard cases). Please specify with your order.



Without case

BETA 200 Ophthalmoscope with	2.5V XHL	3.5V XHL	LED
BETA battery handle	C-011.10.118		
BETA4 USB rechargeable handle with USB cord and plug-in power supply		C-011.27.388	C-011.28.388



HEINE BETA 200 Diagnostic Sets/Kits

With XHL or LED^{HQ} illumination



Set includes: BETA 200 Ophthalmoscope, BETA 200 Streak Retinoscope, 1 spare bulb for XHL version, hard case.

	2.5V XHL	3.5V XHL	LED
BETA battery handle	C-145.10.118		
BETA4 USB rechargeable handle with USB cord and plug-in power supply		C-145.27.388	C-145.28.388
BETA4 NT rechargeable handle with NT4 table charger		C-145.23.420	C-145.24.420

∴ For further information on the HEINE BETA 200 Retinoscope, please see page 045.



Set includes: BETA 200 Ophthalmoscope, BETA 400 F.O. Otoscope, 1 set (4 pcs.) of reusable tips, 10 AllSpec disposable tips 4 mm Ø, one spare bulb each for XHL version, hard case.

	2.5V XHL	3.5V XHL	LED
BETA battery handle	A-153.10.118		
BETA4 USB rechargeable handle with USB cord and plug-in power supply		A-153.27.388	A-153.28.388

Also available as a kit with EN 200 Wall Transformer (page 129)



Without case

Kit includes: BETA 200 Ophthalmoscope, BETA 400 F.O. Otoscope, 1 set (4 pcs.) of reusable tips, 10 AllSpec disposable tips 4 mm Ø, one spare bulb each for XHL version.

	3.5V XHL	LED
2x BETA4 NT rechargeable handle with NT4 table charger	A-153.23.422	A-153.24.422

∴ For further information on the HEINE BETA 400 F.O. Otoscope, please see page 007.

HEINE BETA 200 Diagnostic Sets/Kits

With XHL or LED^{HO} illumination

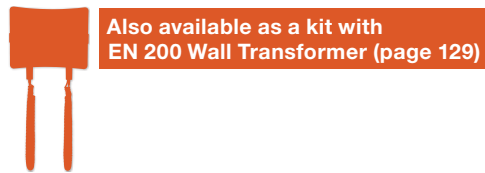


Set includes: BETA 200 Ophthalmoscope, BETA 200 F.O. Otoscope,
1 set (4 pcs.) of reusable tips, 10 AllSpec disposable tips 4 mm Ø,
one spare bulb each for XHL version, hard case.

	2.5V XHL	3.5V XHL	LED
BETA battery handle	A-132.10.118		
BETA4 USB rechargeable handle with USB cord and plug-in power supply		A-132.27.388	A-132.28.388



Without case



Also available as a kit with
EN 200 Wall Transformer (page 129)

Kit includes: BETA 200 Ophthalmoscope, BETA 200 F.O. Otoscope,
1 set (4 pcs.) of reusable tips, 10 AllSpec disposable tips 4 mm Ø,
one spare bulb each for XHL version, hard case.

	3.5V XHL	LED
2x BETA4 NT rechargeable handle with NT4 table charger	A-132.23.422	A-132.24.422

∴ For further information on the HEINE BETA 200 F.O. Otoscope, please see page 009.



HEINE K180 Ophthalmoscope

Standard direct ophthalmoscope



A full-featured instrument at an economical price.

- ∴ **Precision spherical HEINE optics.** Corneal and iris reflexes are eliminated.
- ∴ **XHL Xenon Halogen Technology.** Bright, white light. Clear retinal image.
- ∴ **Range of lenses: 27 lenses from -35D to +40D.** Brilliant image even at high corrections.

+ in 1 D steps:	1 – 10	15	20	40	D
- in 1 D steps:	1 – 10	15	20	25	35 D

- ∴ **Ergonomical shape.** The instrument fits the orbita comfortably.
- ∴ **Soft orbital rest.** Steadies the instrument and protects your glasses.
- ∴ **Choice of 5 apertures.** For both large and small pupils. Choice of fixation star or cobalt blue filter for corneal examination.
- ∴ **Dust resistant housing.** Maintenance-free.
- ∴ **High-impact polycarbonate housing for durability.**

K180 apertures



Aperture wheel 1:
Slit, red-free filter, fixation star with polar coordinates, large spot, small spot



Aperture wheel 2:
Slit, red-free filter, cobalt blue filter, large spot, small spot

HEINE K180 Ophthalmoscope Sets

Set includes: K180 Ophthalmoscope with aperture wheel 1, soft pouch.



	2.5V XHL	3.5V XHL
BETA battery handle	C-182.10.118	
★ BETA4 USB rechargeable handle with USB cord and plug-in power supply		C-182.27.388
BETA4 NT rechargeable handle with NT4 table charger		C-182.23.420

Set includes: K180 Ophthalmoscope with aperture wheel 2, soft pouch.



	2.5V XHL	3.5V XHL
BETA battery handle	C-183.10.118	
BETA4 USB rechargeable handle with USB cord and plug-in power supply		C-183.27.388
BETA4 NT rechargeable handle with NT4 table charger		C-183.23.420



HEINE K180 Diagnostic Sets



Set includes: K180 Ophthalmoscope in standard version with aperture wheel 1, **K180 F.O. Otoscope**, 1 set (4 pcs.) of reusable tips, hard case.

	2.5V XHL	3.5V XHL
BETA battery handle	A-279.10.118	
BETA4 USB rechargeable handle with USB cord and plug-in power supply		A-279.27.388
BETA4 NT rechargeable handle with NT4 table charger		A-279.23.420

∴ For further information on the HEINE K180 F.O. Otoscope, please see page 011.

HEINE mini 3000® Ophthalmoscope

Compact pocket ophthalmoscope with XHL or LED^{HQ} illumination


LED IN HEINE QUALITY.



mini 3000 apertures



Fixation star, large spot, small spot,
hemispot, red-free filter

Modern pocket ophthalmoscope with concentrated bright light for perfect illumination, a brilliant image and accurate colour rendering. Fixation star aperture with grey filter for reducing the light intensity. Excellent optics and best colour rendering in minimum dimensions, ideal for rounds and house calls. Can be used with the mini 3000 handle system. Available in black and blue.

Features for both instruments (XHL and LED):

- ∴ HEINE optics produce crisp, clear images of the whole area under examination and minimise reflections.
- ∴ **5 different apertures.** A full-function instrument incl. fixation star.
- ∴ Grey filter for light-sensitive patients.
- ∴ **Range of lenses: 18 lenses from -20 D to +20 D.**

+	1	2	3	4	6	8	10	15	20D
-	1	2	3	4	6	8	10	15	20D
- ∴ **Easy workflow,** because ophthalmoscopy is possible without dilation of the pupils.
- ∴ **Attachment clip with integrated on/off switch.** Switches off automatically when returned to the pocket.
- ∴ **Replaceable batteries.** Size AA, or optional rechargeable battery with mini NT table charger.*
- ∴ **2-piece handle and head.** Easy to maintain, flexible.
- ∴ **Award-winning design.** Maximum quality with minimum dimensions.

Special features of the LED instruments:

- ∴ **Maintenance-free,** no need to ever replace the LED.
- ∴ LED Thermal management for a **consistent light output throughout the whole working life.**
- ∴ **There's LED. And there's LED^{HQ}.** HEINE has set a new standard which maintains that only the best is good enough, from the selection of materials to processing, from light intensity and thermal management to a colour rendering index as high as possible. **That's what we call LED in HEINE Quality – or LED^{HQ}.**
- ∴ **Exclusive Battery Performance Indicator:** When the instrument is switched on, the maximum light intensity is shown, then the light intensity is regulated down to the level that corresponds to the current charge status of the battery so you know when your batteries need changing.
- ∴ **Fade-Out Feature:** brightness reduces slowly even with low residual capacity, for even more efficient use of dry or rechargeable batteries.
- ∴ **Operation time typ. 10 hours.** The batteries need to be changed less often and the rechargeable batteries last longer.



*To upgrade to a rechargeable instrument with mini NT table charger, please see page 132.



HEINE mini 3000 pocket instruments – a complete range of quality diagnostic instruments for your pocket. Available in black or blue. Please specify the colour you prefer when ordering. If not otherwise specified, we will supply black instruments.

HEINE mini 3000 Diagnostic Sets/Kits



Set includes: mini 3000 Ophthalmoscope, hard case.

	2.5V XHL	2.5V LED
mini 3000 battery handle with batteries	D-852.10.021	D-885.21.021



Without case

mini 3000 Ophthalmoscope with	2.5V XHL	2.5V LED
★ mini 3000 battery handle with batteries	D-001.71.120	D-008.71.120
mini 3000 rechargeable handle (please order mini NT table charger separately)	D-001.71.200	D-008.71.200



[01]

Set/Kit includes: mini 3000 Ophthalmoscope, mini 3000 F.O. Otoscope,
1 set (4 pcs.) of reusable tips, 10 AllSpec disposable tips 4 mm Ø

	2.5V XHL	2.5V LED
2 mini 3000 battery handles with batteries with hard case [01]	D-873.11.021	D-886.11.021
2 mini 3000 rechargeable handles and mini NT table charger, without case [02]	D-859.11.022*	D-860.11.022*

*with this Art. No. only available in black



[02]

∴ For further information on the HEINE mini 3000 F.O. Otoscope, please see page 012.

Without case



[03]

Set includes: mini 3000 Ophthalmoscope, mini 3000 Otoscope,
1 set (4 pcs.) of reusable tips, 10 AllSpec disposable tips 4 mm Ø

	2.5V XHL
2 mini 3000 battery handles with batteries with hard case [03]	D-873.21.021

∴ For further information on the HEINE mini 3000 Otoscope, please see page 016.



Further articles / Accessories

HEINE Ophthalmoscopes



BETA 200S Ophthalmoscope Head	2.5V XHL	3.5V XHL	LED
without handle and without accessories	C-001.30.120	C-002.30.120	C-008.30.120



BETA 200 Ophthalmoscope Head	2.5V XHL	3.5V XHL	LED
without handle and without accessories	C-001.30.100	C-002.30.100	C-008.30.100



BETA 200 M2 Ophthalmoscope Head	2.5V XHL	3.5V XHL
without handle and without accessories Like BETA 200, except with pinhole instead of small spot and with fixation star aperture without polar coordinates	C-001.30.102	C-002.30.102



K180 Ophthalmoscope Head	2.5V XHL	3.5V XHL
with aperture wheel 1, without handle and without accessories	C-001.30.206	C-002.30.206
with aperture wheel 2, without handle and without accessories	C-001.30.207	C-002.30.207



mini 3000 Ophthalmoscope Head	2.5V XHL	2.5V LED
without handle and without accessories *	D-001.71.105	D-008.71.105

*Available in black and blue. Please specify the colour you prefer when ordering. If not otherwise specified, we will supply black instruments.



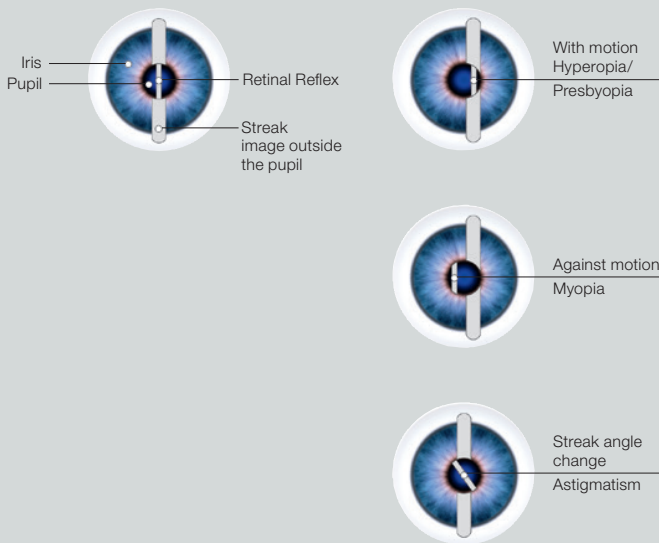
Spare bulb for BETA 200S, BETA 200 and BETA 200 M2	2.5V XHL	3.5V XHL
XHL Xenon Halogen spare bulb	X-001.88.069	X-002.88.070



Spare bulb for K180	2.5V XHL	3.5V XHL
XHL Xenon Halogen spare bulb	X-001.88.084	X-002.88.086



Spare bulb for mini 3000	2.5V XHL
XHL Xenon Halogen spare bulb	X-001.88.106



Hand-held retinoscopes for objective refraction.

The BETA 200 Retinoscope is used for the exact measurement of the refractive error. Both myopia and hyperopia as well as astigmatism can be measured.

Two versions are available:

The Spot Retinoscope with a round light spot (available only as XHL variant) and the more widely-used Streak Retinoscope with a streak image which simplifies the examination.

***HEINE ParaStop**

The BETA 200 Retinoscope with ParaStop features the latest multi-coated optics for an exceptionally bright fundus reflex and easier detection of the neutralisation point. ParaStop was developed by HEINE for the easy, precise selection of a parallel illumination beam. ParaStop simplifies and speeds up the precise detection of cylinder axis. ParaStop also simplifies the verification of the cylinder correction after refraction.

HEINE BETA® 200 LED Retinoscope with HEINE ParaStop®

With LED illumination in HEINE Quality – LED^{HQ}



Homogenous LED illumination for precise streak image quality offers an easy and quick observation of the fundus reflex.



- ∴ ParaStop. Precise, easy selection of a parallel beam* (see above).
- ∴ **Brilliant, precise streak image** with a line width of typically 1.1 mm (ISO 12865 Standard < 1.5 mm) and a line length of 35 mm for a very bright, readily visible fundus reflex.
- ∴ **There's LED. And there's LED^{HQ}.** HEINE has set a new standard which maintains that only the best is good enough, from the selection of materials to processing, from light intensity to dimmability, and from thermal management to a colour rendering index as high as possible. **That's what we call LED in HEINE Quality – or LED^{HQ}.**
- ∴ **Patented, unique, stepless dimming** from 3% to 100% with practical one-finger operation.
- ∴ **Ergonomic shape.** Protects the examiner's orbita from stray light.
- ∴ **Metal controls.** Long-lasting.
- ∴ **Single control for vergence and rotation.** Comfortable operation.
- ∴ **Maintenance-free.** Dustproof. LED with virtually unlimited hours of working life.
- ∴ **Integrated polarisation filter.** Eliminates stray light and internal reflexes for a brighter fundus reflex.
- ∴ **Detachable brow rest.** Increased comfort and control during examination.
- ∴ **Holder for fixation cards (optional).** For dynamic retinoscopy.
- ∴ **Full functionality of the BETA 200 LED is guaranteed with BETA Rechargeable Handles and the EN 200 / EN 200-1 Wall Transformers.**

- ∴ **Also available with XHL Xenon Halogen illumination.** Bright illumination and authentic colour rendering; for other technical specifications see BETA 200 LED Retinoscope.



HEINE BETA 200 Diagnostic Sets/Kits



Set includes: BETA 200 Streak Retinoscope,
1 spare bulb for XHL version, hard case.

	2.5V XHL	3.5V XHL	LED
BETA battery handle	C-034.10.118*		
★ BETA4 USB rechargeable handle with USB cord and plug-in power supply		C-034.27.388	C-034.28.388
BETA4 NT rechargeable handle with NT4 table charger		C-034.23.420	C-034.24.420

* Also available with large battery handle X-001.99.120 (doesn't fit into hard cases). Please specify with your order.



Without case

BETA 200 Streak Retinoscope with	2.5V XHL	3.5V XHL	LED
BETA battery handle	C-014.10.118		
BETA4 USB rechargeable handle with USB cord and plug-in power supply		C-014.27.388	C-014.28.388



Set includes: BETA 200 Streak Retinoscope, BETA 200S Ophthalmoscope,
1 spare bulb for each instrument for XHL version, hard case.

	2.5V XHL	3.5V XHL	LED
BETA battery handle	C-262.10.118		
BETA4 USB rechargeable handle with USB cord and plug-in power supply		C-262.27.388	C-262.28.388
BETA4 NT rechargeable handle with NT4 table charger		C-262.23.420	C-262.24.420

∴ For further information on the HEINE BETA 200S Ophthalmoscope, please see page 035.



Set includes: BETA 200 Streak Retinoscope, BETA 200 Ophthalmoscope,
1 spare bulb for each instrument for XHL version, hard case.

	2.5V XHL	3.5V XHL	LED
BETA battery handle	C-145.10.118		
BETA4 USB rechargeable handle with USB cord and plug-in power supply		C-145.27.388	C-145.28.388
BETA4 NT rechargeable handle with NT4 table charger		C-145.23.420	C-145.24.420

∴ For further information on the HEINE BETA 200 Ophthalmoscope, please see page 037.

HEINE HSL 150 Hand-held Slit Lamp

For the examination of the anterior segment



Compact and lightweight, the portable HSL 150 is ideal for situations where a full-size slit lamp is not available or convenient. For the examination of the anterior segment in Human- and Veterinary medicine.

- ∴ **Slit size adjustable** from 0.2 mm x 10 mm to 4 mm x 14 mm.
- ∴ **6x magnification.**
- ∴ **Blue interference filter (FITC)**, can be selected for corneal examination.
- ∴ **Multi-coated optics for maximum light transmission.**
- ∴ **2.5V or 3.5V XHL Xenon Halogen Technology** for bright, white light comparable with the brightness of a classic slit lamp.
- ∴ **The HSL 150 instrument head weighs just 70g**, the lightest slit lamp of its kind.

HEINE HSL 150 Hand-held Slit Lamp Sets



Set includes: HSL 150 Hand-held Slit Lamp, soft pouch.



	2.5V XHL
BETA SLIM battery handle	C-252.10.105



Set includes: HSL 150 Hand-held Slit Lamp, spare bulb, hard case.

	3.5V XHL
BETA4 SLIM NT rechargeable handle and NT4 table charger*	C-266.20.471

*NT4 table charger incl. reducer insert



HEINE LAMBDA 100 Retinometer

For assessing potential visual acuity



The LAMBDA 100 Retinometer is the first compact instrument for assessing potential visual acuity of patients with cataracts and other opacities.
LAMBDA 100 – clinically tested with excellent results.*

- ⚡ **Simple, easy-to-use controls.** Reliable diagnosis, easy to operate.
- ⚡ **Compact, lightweight (100g).** Can be used anywhere – even bedside.
- ⚡ **XHL Xenon Halogen Technology and brightness control.** Avoids patients discomfort from dazzle.

Three simple steps for assessing potential visual acuity with LAMBDA 100

1. Switch on instrument, select acuity, adjust pattern of lines, reduce ambient lighting.
2. Rest Retinometer against the patient's forehead. Scan the pupil with the red light spot to find a "window" through which the patient can recognise the pattern of lines.
3. Select progressively finer lines with different angles until the patient can no longer recognise the angle. The value of the last recognisable angle indicates potential acuity.



0°
Visus = 0,5 $\left(\frac{20}{40}\right)$



45°
Visus = 0,32 $\left(\frac{20}{60}\right)$



90°
Visus = 0,06 $\left(\frac{20}{300}\right)$

LAMBDA 100 Examples of various acuity grating patterns (visual angle 1°)

* Validated by the study "Accuracy of the HEINE LAMBDA 100 Retinometer" in Investigative Ophthalmology & Visual Science, May 2008, Vol. 49, Southern College of Optometry, Memphis, Tennessee and the study "Reliability of predictable postoperative visual acuity of cataracts as measured by HEINE LAMBDA 100 retinometer preoperatively" by the Departamento de Oftalmologia, May – June 2010, São Paulo, Brasil.

HEINE LAMBDA 100 Retinometer Kits

Kit includes: LAMBDA 100 Retinometer,

1 Patient card, BETA4 USB rechargeable handle with USB cord and plug-in power supply, spare bulb.



Without case

	3.5V XHL
★ Kit 1: acuity scale 20/300 to 20/25 (scale 2)	C-037.27.388
★ Kit 2: decimal scale 0.06 to 0.8 (scale 1)	C-038.27.388

HEINE Ophthalmic Examination Lamp

For examination of the anterior segment and cornea in focal light



- ∴ **Small and light. Ideal for house calls and rounds.**
- ∴ **5 different apertures.** Helps detect erosion, edema and foreign bodies on the cornea.
- ∴ **Apertures focused at 100 mm working distance.**

Aperture combination



Slit, three different spots, cobalt blue filter for fluorescence examination

HEINE Ophthalmic Examination Lamp Kits



Without case

[01]

Ophthalmic Examination Lamp with	2.5V XHL	3.5V XHL
BETA battery handle	C-018.10.118	
★ BETA4 USB rechargeable handle with USB cord and plug-in power supply [01]		C-018.27.388
BETA4 NT rechargeable handle (without NT4 table charger)		C-018.23.396

HEINE Finoff Transilluminator

For scleral transillumination

∴ **Detachable Cobalt blue filter.** Suitable for fluorescence examinations.



[01]

Without case

Finoff Transilluminator with	3.5V XHL
★ BETA4 USB rechargeable handle with USB cord and plug-in power supply [01]	C-019.27.388
BETA4 NT rechargeable handle (without NT4 table charger)	C-019.23.396

Further articles / Accessories

HEINE ophthalmic instruments



BETA 200 Retinoscope Head	2.5V XHL	3.5V XHL	LED
without handle	C-001.15.353	C-002.15.353	C-008.15.353

Fixation cards for BETA 200 Retinoscope	
Fixation cards with holder for dynamic retinoscopy, without instrument	C-000.15.360



Orange filter for BETA 200 Retinoscope with XHL illumination	
Orange filter for the bulb, for light-sensitive patients	C-000.15.359



Spare bulb for BETA 200 Retinoscope	2.5V XHL	3.5V XHL
XHL Xenon Halogen spare bulb	X-001.88.087	X-002.88.089



XHL Xenon Halogen spare bulb to convert to Spot Retinoscope	X-001.88.088	X-002.88.090
--------------------------------------------------------------------	--------------	--------------



HSL 150 Hand-held Slit Lamp Head	2.5V XHL	3.5V XHL
without handle	C-001.14.602	C-002.14.602



HSL 10x Loupe Attachment for HSL 150	
Loupe attachment with 10x magnification, without instrument	C-000.14.606



Spare bulb for HSL 150 Hand-held Slit Lamp	2.5V XHL	3.5V XHL
XHL Xenon Halogen spare bulb	X-001.88.098	X-002.88.099



LAMBDA 100 Retinometer Head	2.5V XHL	3.5V XHL
with acuity scale 20/300 to 20/25 (scale 2), without handle	C-001.35.015	C-002.35.015
with decimal scale 0.06 to 0.8 (scale 1), without handle	C-001.35.010	C-002.35.010



Patient card for LAMBDA 100 Retinometer	
Patient card	C-000.35.005



Spare bulb for LAMBDA 100 Retinometer	2.5V XHL	3.5V XHL
XHL Xenon Halogen spare bulb	X-001.88.077	X-002.88.078

Further articles / Accessories

HEINE ophthalmic instruments



Ophthalmic Examination Lamp Head	2.5V XHL	3.5V XHL
without handle	C-001.14.400	C-002.14.400



Spare bulb for Ophthalmic Examination Lamp	2.5V XHL	3.5V XHL
XHL Xenon Halogen spare bulb	X-001.88.032	X-002.88.047



[01]

Finoff Transilluminator Head	3.5V XHL
Finoff for scleral transillumination, without handle [01]	C-002.17.080

Aperture for Finoff Transilluminator	
Aperture with Cobalt blue filter for Finoff Transilluminator	C-000.17.081



Spare bulb for Finoff Transilluminator	3.5V XHL
XHL Xenon Halogen spare bulb	X-002.88.078

HEINE Indirect Ophthalmoscopes

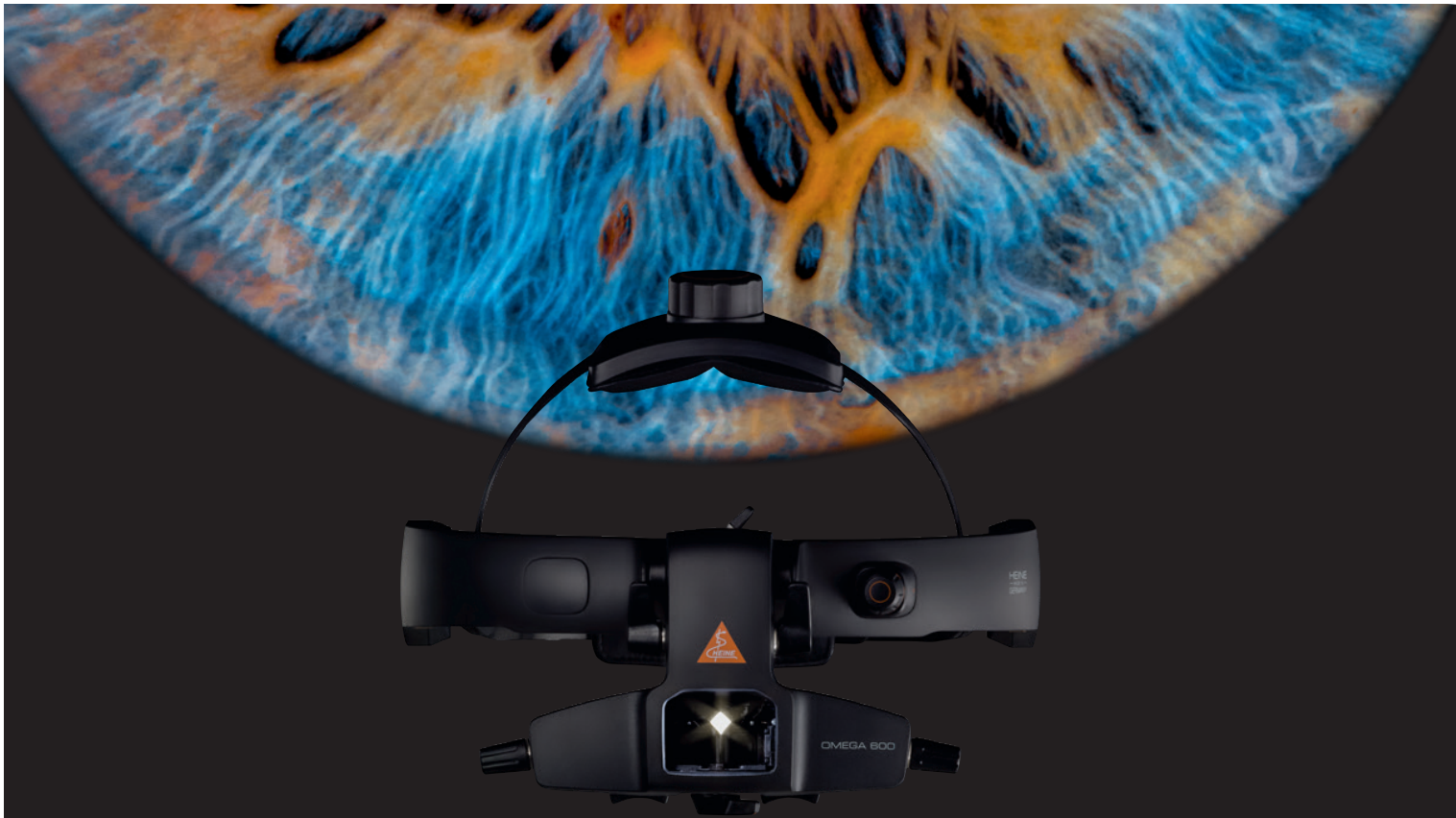


LED^{HQ}

LED^{HQ}

LED^{HQ}

	OMEGA 600	OMEGA 500	SIGMA 250	SIGMA 250 M2
Convergence and parallax adjustment	Synchronized	Synchronized	Separate	
Apertures				
Integrated filters			Red-free filter is integrated in aperture row	
Illumination	LED ^{HQ}	XHL or LED ^{HQ}	LED ^{HQ}	
Wearing options	Headband	Professional L Headband	S-FRAME Spectacle Frame	
Further articles	<ul style="list-style-type: none"> • Teaching mirror • Ophthalmoscopy lenses • Fundus charts 	<ul style="list-style-type: none"> • Teaching mirror • Ophthalmoscopy lenses • Fundus charts 	<ul style="list-style-type: none"> • Teaching mirror • Blue filter and yellow filter • Diffusor • Ophthalmoscopy lenses • Fundus charts 	
Product variants	–	With integrated camera	–	
Brightness control	On the instrument; visionBOOST	On the instrument	On the power source	
Mobile power supply / Operating time	<ul style="list-style-type: none"> • Rechargeable battery integrates into the headband / typ. 8 hours. 	<ul style="list-style-type: none"> • Headband-mounted battery mPack UNPLUGGED / XHL typ. 2 hours, LED typ. 7 hours • mPack / XHL typ. 4 hours, LED typ. 13 hours 	<ul style="list-style-type: none"> • mPack mini / LED typ. 11 hours 	
Stationary power supply	<ul style="list-style-type: none"> • CW1 wall charger • CC1 charging case • E4-USBC power supply 	<ul style="list-style-type: none"> • EN 50 Table- or / Wall transformer • Plug-in transformer 	–	
Catalogue page	054 – 055	056 – 057	058 – 059	



The new HEINE OMEGA 600 Indirect Ophthalmoscope

There is so much to discover inside the eye. And often tiny details can make a big difference. That's why we provide you with the best optics, the sharpest image, and reliable colours. Along with the capability to explore the whole retina, including the far periphery.

New: visionBOOST for cataract patients: more confidence in the diagnosis when examining patients with media opacities. Proven to deliver up to 20% better view of the retina in patients with cataracts*: no matter what circumstances – always the ideal working brightness for both the patient and the user.

And there is even more: The new HEINE OMEGA 600 is the lightest high-end indirect ophthalmoscope. The new, extremely compact lithium polymer battery is a true lightweight that delivers absolutely top performance. With all cables and electronics integrated in the new headband, this ophthalmoscope is the state of the art. **So discovering more has been made even more comfortable.**

HEINE OMEGA® 600 Indirect Ophthalmoscope

Discover more. With less weight.



HEINE OMEGA 600
Operation film



The lightest high-end indirect ophthalmoscope worldwide

- ⌘ Best wearing comfort
- ⌘ Personalized fit
 - Ergonomic positioning of controls and levers
 - Adaptable for right and left handed users
 - Flip-up optics unit

Most precise diagnostic, up to the far retinal periphery

- ⌘ Significantly better diagnostics due to unique visionBOOST – even in dense cataracts
- ⌘ Sharpest fundus image due to superior glass optics
- ⌘ Brightest fundus image with true colour rendering thanks to our unique LEDHQ – now in even more natural colours
- ⌘ Best 3D imaging due to our unique Stereoscopic Adjustment Technology
 - in dilated and undilated pupils
 - even with prematures and newborns

Long-lasting investment due to its robust design

- ⌘ Maintenance-free, dustproof optics
- ⌘ Legendary HEINE durability
- ⌘ 5-year guarantee

Easy and effective disinfection thanks to smoothSURFACE

- ⌘ No openings
- ⌘ Integrated electronics



Flip-up function of the optics unit
For more convenient patient interactions



***Eyepieces**
To best accommodate your view, exchange the initially mounted eyepieces +2D with the neutral lenses 0D (supplied with the instrument)



Width adjustment

OMEGA 600 sets	LED
OMEGA 600 wall charger set: Indirect Ophthalmoscope (with battery and +2D eyepiece), [01], E4-USBC [02], eyepiece 0D*, CW1 wall charger [03]	C-008.33.612
OMEGA 600 traveller set: Indirect Ophthalmoscope (with battery and +2D eyepiece) E4-USBC, eyepiece 0D*, traveller bag [04]	C-008.33.613
OMEGA 600 student set: Indirect Ophthalmoscope (with battery and +2D eyepiece), E4-USBC, eyepiece 0D*, TM2 teaching mirror [05], traveller bag	C-008.33.614
OMEGA 600 charging set: CC1 charging case, CB1 charging battery [06]	X-000.99.090



HEINE OMEGA® 500 Binocular Indirect Ophthalmoscope

The predecessor of the OMEGA 600



With its LED^{HQ} or XHL technology and perfect colour rendering, the OMEGA 500 has set the standard for reliability and performance.



Set includes: OMEGA 500,

HC 50L Headband Rheostat, connecting cord Cinch, A.R. 20D ophthalmoscopy lens, pad with 50 fundus charts, teaching mirror, in hard case.

	XHL – 6V	LED – 6V
Plug-in transformer for HC 50L Headband Rheostat	C-283.40.320	C-283.41.320
EN 50-m Charger with mPack (incl. 2 m extension cord Cinch-Cinch, 90° angled adaptor, instrument support)	C-283.40.302	
mPack with plug-in transformer (incl. 90° angled adaptor)	C-283.40.670	C-283.41.670

Kit includes: OMEGA 500,

HC 50L Headband Rheostat, connecting cord Cinch.



[01]

	XHL – 6V	LED – 6V
Kit 1: with plug-in transformer for HC 50L	C-004.33.537	C-008.33.531
Kit 2: with EN 50 transformer complete (incl. EN 50 Rheostat Control Module, extension cord Cinch-Cinch 2 m, 90° angled adaptor, instrument support)	C-004.33.538	
Kit 3: with mPack and plug-in transformer (incl. 90° angled adaptor) [01]	C-004.33.539	C-008.33.533



Set includes: OMEGA 500 UNPLUGGED,

HC 50L Headband Rheostat, A.R. 20D ophthalmoscopy lens, pad with 50 fundus charts, teaching mirror, 1 spare bulb in case of XHL illumination, in hard case.

	XHL – 6V	LED – 6V
mPack UNPLUGGED and plug-in transformer UNPLUGGED	C-284.40.670	C-284.41.670

Kit includes: OMEGA 500 UNPLUGGED, HC 50L Headband Rheostat. Without case.



[02]

	XHL – 6V	LED – 6V
Kit 5: plug-in transformer UNPLUGGED, 1 x mPack UNPLUGGED	C-004.33.541	C-008.33.535
Kit 6: Wall unit EN 50 UNPLUGGED charger, 2 x mPack UNPLUGGED	C-004.33.542	C-008.33.536
Kit 7: Wall unit EN 50 UNPLUGGED charger, 1 x mPack UNPLUGGED [02]	C-004.33.543	C-008.33.537

HEINE OMEGA 500 with DV1 Digital Video Camera

High-resolution digital imaging of the fundus



- **5 MP resolution.** Capable of capturing high-resolution videos or still shots of examinations. No disturbing picture noise due to increased light sensitivity of the camera – also suitable for the examination of premature babies. Perfect for sharing the examiner’s view with a wider audience, educating patients on the diagnosis, recording techniques for presentations, and patient records.
- **Interface and software.** Will plug into any laptop or computer via USB 2.0 interface. Supplied with software program for video recording and image capture.
- **Integrated camera design.** The integrated camera system ensures precise alignment with the optical system of the Indirect Ophthalmoscope. Robust, dustproof design. No further adjustment of mirrors necessary for digital imaging.

For more information, please refer to www.heine.com/omega500dv1



HEINE OMEGA 500
with DV1 film

HEINE OMEGA 500 with DV1 Sets / Kits



Set includes: OMEGA 500 with DV1 Digital Video Camera,
HC 50L Headband Rheostat, USB 2.0 cord, A.R. 20 D ophthalmoscopy lens,
pad with 50 fundus charts, 1 spare bulb if with XHL illumination, in hard case.

	XHL – 6V	LED – 6V
mPack UNPLUGGED and plug-in transformer	C-176.40.670	C-176.41.670



Kit includes: OMEGA 500 with DV1 Digital Video Camera,
HC 50L Headband Rheostat, USB 2.0 cord. Without case.

	XHL – 6V	LED – 6V
mPack with plug-in transformer	C-004.33.560	C-008.33.560
mPack UNPLUGGED with plug-in transformer	C-004.33.561	C-008.33.561
2x mPack UNPLUGGED with EN 50 UNPLUGGED	C-004.33.562	C-008.33.562

HEINE SIGMA[®] 250 Binocular Indirect OphthalmoscopeSpectacle-mounted ophthalmoscope – with LED^{HQ} illumination


LED IN HEINE QUALITY.



SIGMA 250 apertures



Large spot, small spot,
red-free filter

SIGMA 250 M2 apertures



Large spot, pinhole,
red-free filter

The spectacle-mounted indirect ophthalmoscope to suit any pupil size. Two separate controls for selecting the **ideal setting of parallax and convergence guarantee completely illuminated stereo views in pupils up to 2 mm, as well as viewing in the periphery.**

- ∴ **Power Source mPack mini – compact and light power source with USB charging option.** With a weight of just 95 g and dimensions of 44x23x101 mm, this mobile power source is now approx. 70% smaller and lighter than its predecessor. Typ. 11 hours in continuous operation at maximum power.
Please note: The SIGMA 250 is still compatible only with mPack mini.
- ∴ **Extremely light**, 110 g without frame. Light and comfortable.
- ∴ **There's LED. And there's LED^{HQ}.** HEINE has set a new standard which maintains that only the best is good enough, from the selection of materials to processing, from light intensity to dimmability, and from thermal management to a colour rendering index as high as possible. **That's what we call LED in HEINE Quality – or LED^{HQ}.**
- ∴ **Lightweight frame.** High tensile carbon fiber construction is lightweight and has excellent stability.
- ∴ **Illumination beam adjustable $\pm 3^\circ$.** Eliminates reflexes.
- ∴ **Integrated red-free filter.** Improves contrast.
- ∴ **Optional blue and yellow filters.**
- ∴ **Large and small apertures.**
- ∴ **Dust proof.** Maintenance-free.
- ∴ **PD selection from 47 to 72 mm.** Suits any user.
- ∴ **Optics on swivel mount.** Unrestricted view.
- ∴ **Optional clip-in correction frame** for prescription lenses.

Simplified diagram of various beam configurations:
Large pupil – Small pupil – Peripheral view



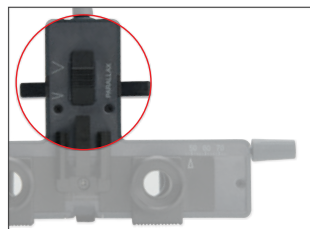
Large pupil



Small pupil



Peripheral view



Parallax adjustment



Convergence adjustment

HEINE SIGMA 250 Sets / Kits



Set includes: SIGMA 250 with S-FRAME Spectacle Frame,
mPack mini with E4-USB plug-in transformer and USB cord, mPack mini Belt Clip,
A.R. 20 D ophthalmoscopy lens, teaching mirror, blue and yellow filters, diffusor,
retaining cord, case.

	LED
SIGMA 250	C-281.41.671
SIGMA 250 M2 (with micro spot aperture instead of small aperture)	C-279.41.671



Without case

Kit includes: SIGMA 250 with S-FRAME Spectacle Frame,
mPack mini with E4-USB plug-in transformer and USB cord, mPack mini Belt Clip,
retaining cord.

	LED
SIGMA 250	C-008.33.341
SIGMA 250 M2 (with micro spot aperture instead of small aperture)	C-008.33.346



HEINE Hand-held Indirect Ophthalmoscope, MONOCULAR

Compact monocular ophthalmoscope



An unusually compact instrument, which is recommended for visits and mobile use.

- ∴ **Durable metal construction.** Long working life.
- ∴ **Built-in interference red-free filter.** Improves contrast.
- ∴ **All optical components made of coated optical glass.** Precise images and high light intensity.
- ∴ **Adjustable light beam.** Useful for small pupils.
- ∴ **One hand operation.** All control elements can be easily reached with the thumb.
- ∴ **+ 3 D lens attachment.** An aid to accommodation, magnifies the image.

HEINE Hand-held Indirect Ophthalmoscope, MONOCULAR Kits



[01]

Without case

Hand-held Indirect Ophthalmoscope, MONOCULAR with	3.5V XHL
★ BETA4 USB rechargeable handle with USB cord and plug-in power supply	C-020.27.388
BETA4 NT rechargeable handle with NT4 table charger [01]	C-020.23.420

Model Eyes

HEINE Skia/Retinoscope Trainer



This model eye is ideal for teaching and practice. The pupil diameter and refractive error can be set exactly and are therefore reproducible. The front lens compartment holder accepts up to two trial lenses. The cylinder can be read from the graduated scale.

- ∴ **Scale:** 0° – 180° for cylinder determination.
- ∴ **Diameter of pupil.** Variable 2, 3, 4, 5, 6, 8 mm.
- ∴ **Optics:** Optical glass, achromatic lens, focal length F = 32 mm.
- ∴ **Trainer body.** Made of metal – Extremely stable and durable.
- ∴ **Angle of examination** variable.

Model Eye

Skia/Retinoscope Trainer

C-000.33.011

Model Eyes

HEINE Ophthalmoscope Trainer



This model eye was developed for the teaching environment. It is the first adjustable model from HEINE to mimic the human eye. Precise, durable and with a multitude of uses, it simplifies the learning process and encourages the student to practice with the ophthalmoscope.

- ∴ **Diameter of pupil.** Variable 2, 3, 4, 5, 6, 8 mm.
- ∴ **Aspheric optical glass lens.** Focal length F = 18 mm.
Lens curvature matches that of the retina.
- ∴ **Trainer body.** Made of metal – Extremely stable and durable.
- ∴ **Angle of examination** variable.

Model Eye

Ophthalmoscope Trainer

C-000.33.010

HEINE A.R. Aspheric Ophthalmoscopy Lenses

With anti-reflex A.R. coating



- ∴ **Advanced triple multicoating.** Reduced reflection, excellent light transmission.
- ∴ **Lens curvature matches that of the retina.** Perfect, distortion-free retinal image.
- ∴ **Large diameter.** Significant increase in field of view without magnification loss.
- ∴ **Aspheric surfaces.** Reduced distortion of the periphery.

Ophthalmoscopy lens with case

A.R. 16D, Ø 54mm	C-000.17.225
A.R. 20D, Ø 50mm	C-000.17.228
A.R. 30D, Ø 46mm	C-000.17.231

Combi case / Hard case

Combi case respectively hard case for indirect binocular ophthalmoscopes.
Features a deep, dense foam insert to protect instruments.



Combi case/Hard case

NEW! OMEGA 600 traveller bag [01] (can be worn over the shoulder or as a backpack.)	C-080.00.000
Combi case [02] for OMEGA 500	C-079.03.000
Hard case[03] for OMEGA 500	C-079.00.000
Case for SIGMA 250 (270 mm x 270 mm x 150 mm) [04]	C-000.32.553

Accessories for HEINE indirect ophthalmoscopes



Fundus charts

Pad with 50 pcs.	C-000.33.208
------------------	--------------

Further articles / Accessories

HEINE indirect ophthalmoscopes



OMEGA 600 Ophthalmoscope	LED
with battery and +2D eyepiece, E4-USBC, eyepiece 0D*	C-008.33.610

***Eyepieces:** To best accommodate your view, you can exchange the initially mounted eyepieces +2D with the neutral lenses 0D (supplied with the instrument).



[01] [02]



[03]



[04]



[05]



[06]

Accessories OMEGA 600 Ophthalmoscope	
CC1 charging case [02]	X-000.99.091
CB1 charging battery [01]	X-007.99.687
E4-USBC power supply with cable [03]	X-000.99.300
CW1 wall charger (without OMEGA 600) [04]	X-095.17.320
TM2 teaching mirror [05]	C-000.33.212
OMEGA 600 traveller bag [06]	C-080.00.000



Further articles / Accessories

HEINE indirect ophthalmoscopes



OMEGA 500 Ophthalmoscope	XHL – 6V	LED – 6V
on Headband (without HC 50L Headband Rheostat)	C-004.33.500	
on Headband with HC 50L Headband Rheostat and Connecting Cord Cinch	C-004.33.507	C-008.33.502
OMEGA 500 with DV1 and USB 2.0 cord	C-004.33.563	C-008.33.563



Accessories OMEGA 500 Ophthalmoscope	
XHL Xenon Halogen spare bulb for OMEGA 500, 6V	X-004.88.111
Upgrade-Kit OMEGA 500 with LED module [01] and HC 50L [02]	X-008.16.325
LED module for OMEGA 500 [01]	X-008.87.200
HC 50L Headband Rheostat (without plug-in transformer)	X-095.16.325
Plug-in transformer for HC 50L Headband Rheostat	X-095.16.330
Teaching mirror [03]	C-000.33.209
Extension Cord Cinch-Cinch, 2m [04]	C-000.33.510
Connecting Cord Cinch to EN 50 charger/mPack/plug-in transformer for HC 50L, 1.6m [05]	X-000.99.667
Extension cord from plug-in transformer UNPLUGGED to mPack UNPLUGGED, 2m [06]	X-000.99.668
USB 2.0 cord for OMEGA 500 with DV1	X-000.99.206

Further articles / Accessories

HEINE indirect ophthalmoscopes



SIGMA 250 Ophthalmoscope		LED
SIGMA 250 with S-FRAME, retaining cord		C-008.33.340
SIGMA 250 M2 (with micro spot aperture instead of small aperture) with S-FRAME, retaining cord		C-008.33.345



Accessories SIGMA 250 Ophthalmoscope	
Teaching mirror [01]	C-000.33.302
Blue filter [02]	C-000.33.313
Yellow filter [03]	C-000.33.314
Diffusor [04]	C-000.33.315
Case for filters, empty [05]	C-000.33.316
Clip-in correction frame for prescription lenses [06]	C-000.32.309



Hand-held Indirect Ophthalmoscope, MONOCULAR	3.5V XHL
with +3D lens attachment and orbit rest extension, without handle	C-002.33.001

Accessories Hand-held Indirect Ophthalmoscope, MONOCULAR	
+3D lens attachment only [01]	C-000.33.101
Orbit rest extension, for spectacle wearers only	C-000.33.104
XHL Xenon Halogen spare bulb	X-002.88.050

