

## PEDIATRIC SCALES

WITH INCLINED CHAIR SEAT



Model  
8432-CH  
Digital  
Pediatric  
Scale

### Your Choice of Digital or Mechanical

Infants readily accept the inclined seating of Detecto's digital pediatric scales. The built-in, shell-shaped seat may be mounted in three different directions and the plastic material allows for easy clean-up. With pound and kilogram readings and heavy-duty steel base and understructure for support and stability, these pediatric scales have a lot to offer.



Model 459-CH  
Mechanical  
Pediatric Scale



# PEDIATRIC SCALES

## WITH INCLINED CHAIR SEAT



Detecto's fun new shell-shaped plastic inclined seat for the 8432-CH and 459-CH may be mounted in 3 different seating positions, depending upon user preference.

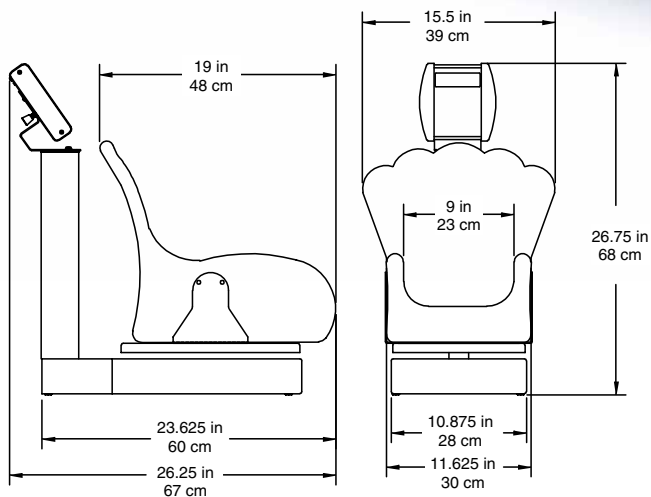
### 8432-CH DIGITAL PEDIATRIC SCALE

The 8432-CH has a lock-in weight feature which compensates for typical baby movement. The crisp LCD features 0.75 inch high digits for easy readouts.



#### 8432-CH SPECIFICATIONS

<b>CAPACITY:</b>	44 lb x 0.05 lb / 20 kg x 0.02 kg
<b>POWER:</b>	6 "AA" size Alkaline, Ni-Cad or NiMH batteries (not included) OR an optional 100 to 240 VAC 50/60Hz 12 VDC 1A wall plug-in UL/CSA listed AC power supply
<b>SHIP WT:</b>	33 lb / 15 kg



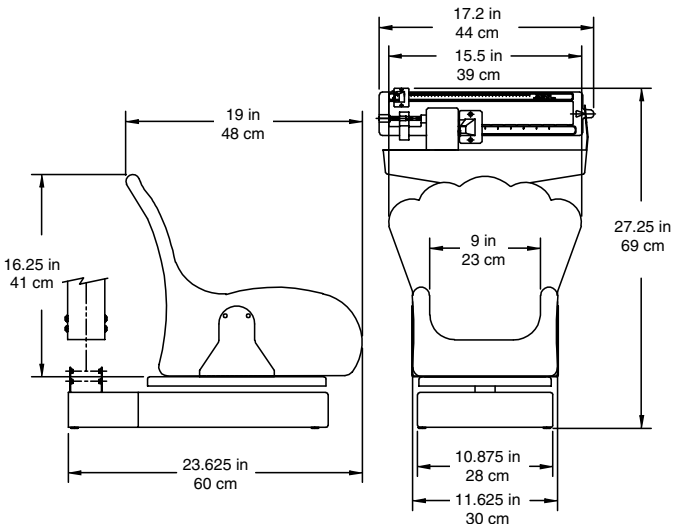
### 459-CH MECHANICAL SCALE

The 459-CH's die-cast weigh beam may be read from either the front or back of the scale. The contoured plastic built-in seat supports babies comfortably and safely while weighing. The heavy-duty steel base and understructure give the operator and patient assurance and safety. These scales are engineered with the active baby in mind and are built with the superior quality you expect from a Detecto scale.



#### 459-CH SPECIFICATIONS

<b>CAPACITY:</b>	40 lb x 0.5 oz / 17.5 kg x 0.01 kg
<b>SHIP WT:</b>	38 lb / 17 kg



Detecto Scale reserves the right to improve, enhance, or modify features and specifications without prior notice.

**DETECTO**  
A Division of Cardinal Scale Manufacturing Co.  
203 E. Daugherty, Webb City, MO 64870 USA  
Ph: 417-673-4631 or 1-800-641-2008 Fax: 417-673-5001  
www.Detecto.com

Sold By:

