



Magnifiers

## Wave LED

A larger viewing area and LED energy saving technology.

The Wave LED has a new sleek head design to complement any office décor. Offered in a unique and powerful 3.5 diopter magnifier, the Wave LED is superior in both form and function. The dual independent LED light sources offer enhanced performance, as well as a user controlled energy saving option.

### Features

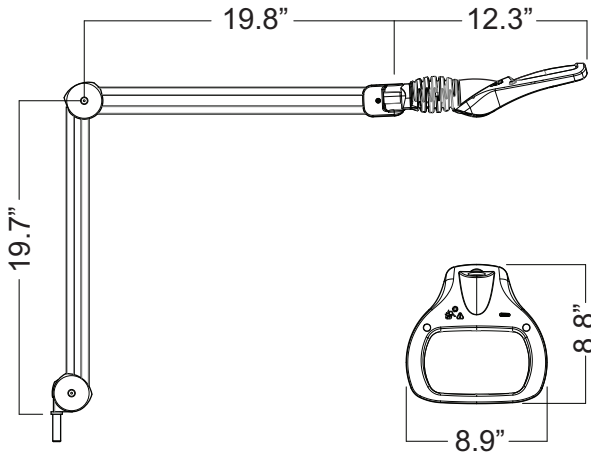
- Shadow-free magnification using symmetrical lighting or 3-D magnification using asymmetrical magnification.
- Self-balancing shade and hands-free neck assembly make precise adjustments easy.
- 45" articulating K-arm standard.
- 6.75" x 4.5" rectangular white crown optical-quality glass lens.
- Equipped with two 6W individually controllable LED modules.
- Automatic 9/4 hour auto shut-off feature and (0-50-100%) step dimming to support energy savings.
- No drift spring-balanced arm allows complete freedom of movement.
- Standard table edge clamp mount included. Optional accessories available: surface mount bracket and weighted rolling floor stand.



**PHILIPS**  
**burton**



**Wave LED**



## Summary of technical data

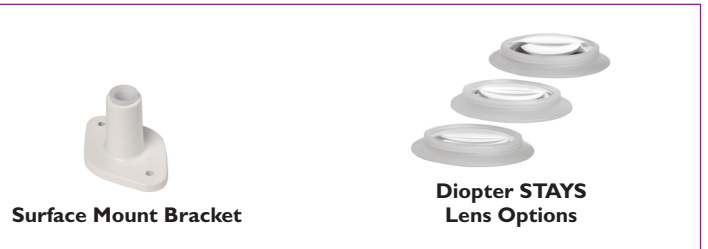
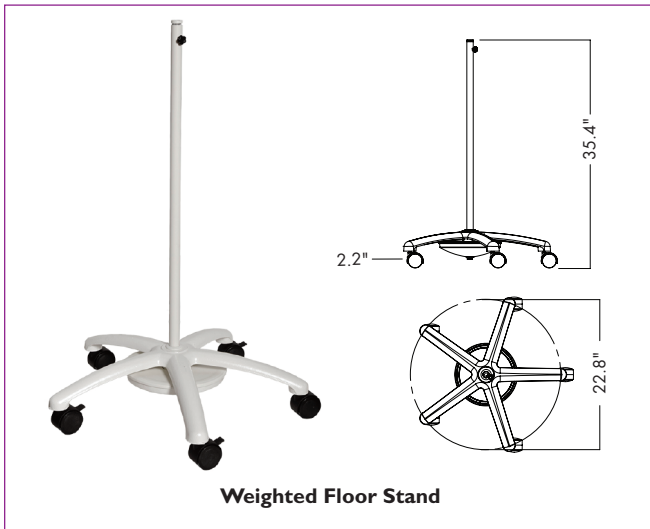
|                              |  |
|------------------------------|--|
| Illuminance:                 | 4600 lux (typical)   |
| Color Temperature:           | 4000 K (typical)   |
| CRI (Color Rendering Index): | 80   |
| Light Source:                | Two 6W dimmable LED modules  |
| Rated Life of Light Source:  | 50,000 hours average LED life  |
| Power Consumption:           | 15 Watts (typical)   |
| Focal Length:                | 11"  |
| Optics:                      | 3.5 (1.88X) diopter, 6.75" x 4.5" rectangular white crown optical quality glass lens |
| Dimming:                     | Step dimming 0 – 50 – 100%   |
| Timer:                       | 9/4 hour auto shut off   |
| Body Material & Color:       | Steel arm, die-cast aluminum shade, fully enclosed neck                              |
| Arm Technology & Movement:   | Heavy duty internal spring 45" parallel three-pivot K-arm                            |
| Mounting:                    | Weighted floor stand, edge clamp or surface mount                                    |
| Certifications:              | UL/cUL listed  |
| Product Warranty:            | 1-year warranty  |

## Ordering Information

| 120V Model           | Description  |
|----------------------|--|
| WML35W45EC120        | Wave LED<br>(standard table edge clamp mount included) |
| Optional Accessories |  |
| WMLWFS               | Weighted Floor Stand                                   |
| WMLSMB               | Surface Mount Bracket                                  |
| WML4DS               | 4 Diopter Lens   |
| WML6DS               | 6 Diopter Lens   |
| WML10DS              | 10 Diopter Lens  |

*\*All products available in white only.*

## Optional Accessories



© 2015 Philips Burton. All rights reserved. Product designs protected by copyright. Philips reserves the right to make changes in specifications and/or to discontinue any product at any time without notice or obligation and will not be liable for any consequences resulting from the use of this publication.

LIT-0091 Rev 2



Philips Burton  
11500 Melrose Avenue  
Franklin Park, IL 60131  
Phone: (800) 444-9909  
Fax: (847) 451-0744  
www.burtonmedical.com